

## JGD 橡胶减震器安装说明

### JGD Rubber shock absorber Installation instructions

安装前, 请确认淞江集团橡胶减震器的型号和规格是否正确。

Before installation, make sure the model and the specification are correct.

安装说明

Installation guide

所需工具: M10、M12、M16、M18、M20 开口扳手。

Required tools: M10、M12、M16、M18、M20 open wrenches.

检查附件是否齐全, 橡胶减震器是否有缺陷或破损。(如图 1)

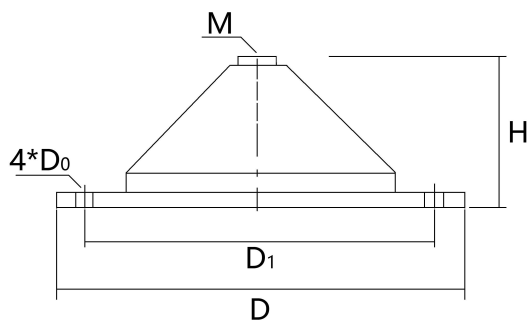
Check the isolator and other accessories see if they are all completely or having any defects. (Fig 1)

将橡胶减震器放到设备的安装位置。(如图 2)

Place the isolator on the correct installation position. (Fig 2)

锁紧螺母和垫片, 确保设备和橡胶减震器固定到位。(如图 3)

Fasten the nuts and washers to ensure the equipment feet holes are fixed to the isolator. (Fig 3)



JGD 型橡胶接头参数表:

JGD type rubber joint parameter table:

型号 Model	外形尺寸 Outline size (mm)					刚性 Kg/cm <sup>2</sup>	变形 Deformation	固有频率 Hz	载荷 kg
	M	D	D1	H	D0				
JGD-1	10	100	80	40	8.5	20	2~8	8~14	10~20
JGD-2	12	150	130	60	8.5	60	4~12	7~12	40~80
JGD-3	16	200	170	87	12.5	120	5~16	6~11	160~320
JGD-4	20	290	260	120	12.5	300	8~24	5~9	640~1280

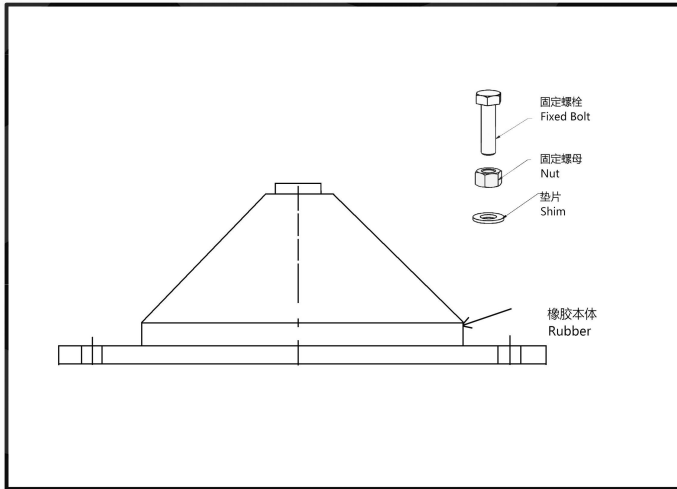


图1) 检查附件是否齐全，橡胶减震器是否有缺陷或破损。

Fig 1) Check the isolator and other accessories see if they are all completely or having any defects.

图2) 将橡胶减震器放到设备的安装位置。

Fig 2) Place the isolator on the correct installation position.

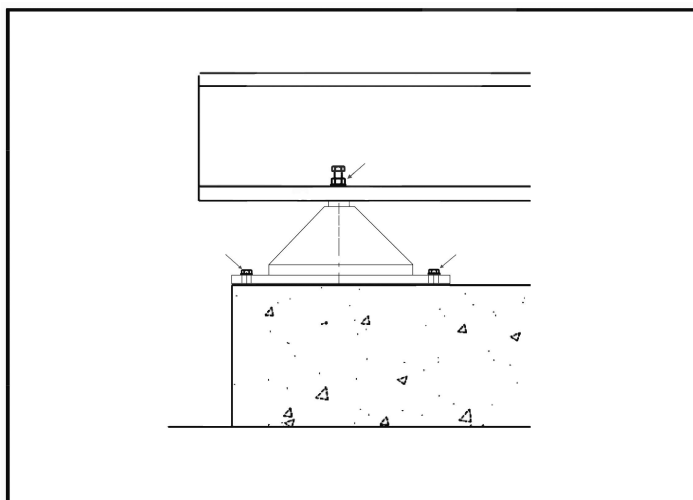
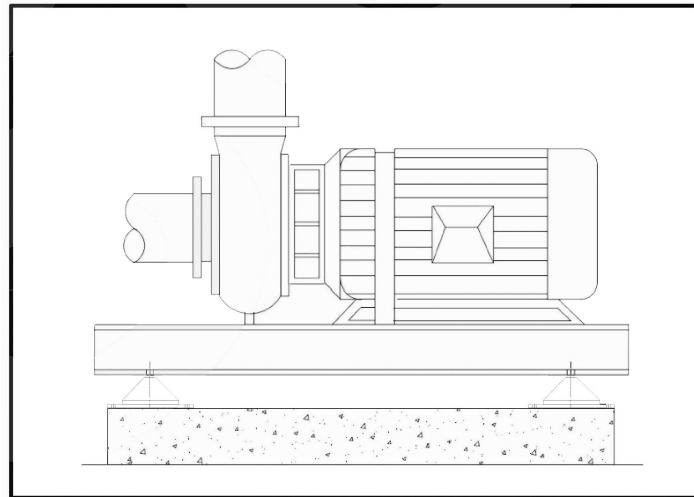


图3) 锁紧螺母和垫片，确保设备和橡胶减震器固定到位。

Fig 3) Fasten the nuts and washers to ensure the equipment feet holes are fixed to the isolator.