

## JDF 橡胶减震器安装说明

### JDF Rubber shock absorber Installation instructions

安装前, 请确认松江集团橡胶减震器的型号和规格是否正确。

Before installation, make sure the model and the specification are correct.

安装说明

Installation guide

所需工具: 公制口径 17mm (M10)、19mm (M12)、24mm (M16) 开口扳手。

Required tools: 17mm (M10)、19mm (M12)、24mm (M16) open wrenches.

检查附件是否齐全, 橡胶减震器是否有缺陷或破损。(如图 1)

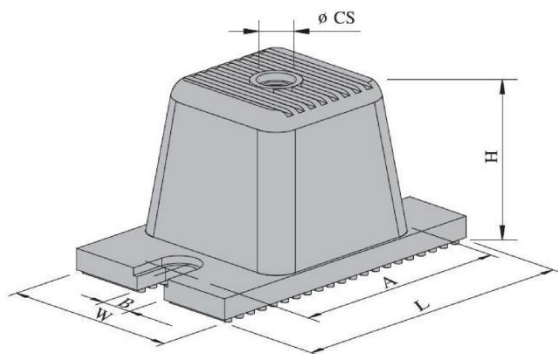
Check the isolator and other accessories see if they are all completely or having any defects. (Fig 1)

将橡胶减震器放到设备的安装位置。(如图 2)

Place the isolator on the correct installation position. (Fig 2)

锁紧螺母和垫片, 确保设备和橡胶减震器固定到位。(如图 3)

Fasten the nuts and washers to ensure the equipment feet holes are fixed to the isolator. (Fig 3)



JDF 型橡胶减震器参数表:

JDF type rubber shock absorber parameter table:

型号 Model	L (mm)	W (mm)	H (mm)	CS (mm)	A (mm)	B (mm)	载荷 (kg)	
							Min	Max
JDF-100	95	53	48	M10	77	10	50	150
JDF-130	127	77	70	M12	101	14	150	450
JDF-180	180	118	70	M16	149	14	450	1000

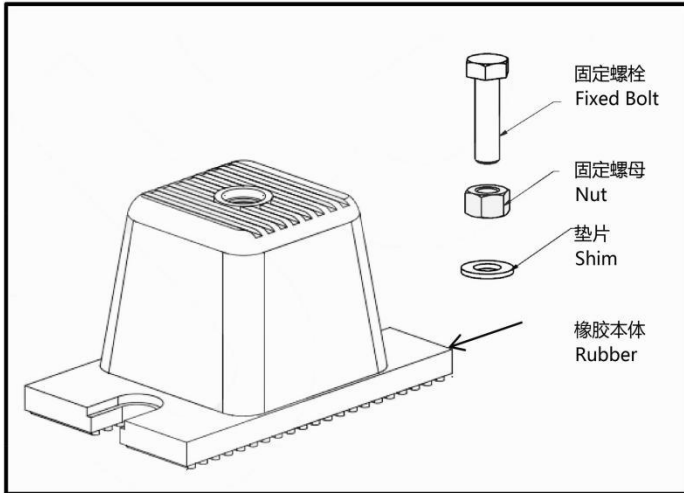


图 1) 检查附件是否齐全，橡胶减震器是否有缺陷或破损。

Fig 1) Check the isolator and other accessories see if they are all completely or having any defects.

图 2) 将橡胶减震器放到设备的安装位置。

Fig 2) Place the isolator on the correct installation position.

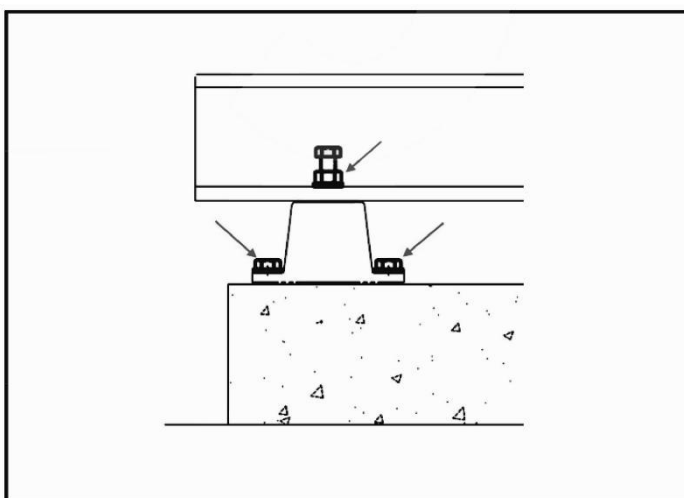
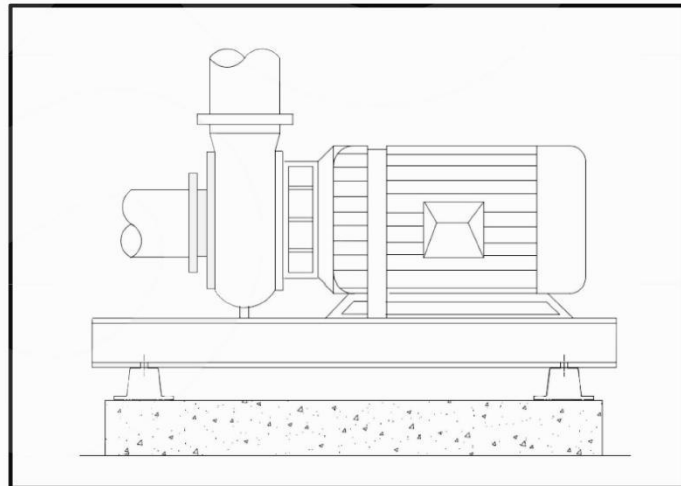


图 3) 锁紧螺母和垫片，确保设备和橡胶减震器固定到位。

Fig 3) Fasten the nuts and washers to ensure the equipment feet holes are fixed to the isolator.